

PT18-12

12Volt 18Ah

Specifications

Nominal Voltage(V) 12V

Nominal Capacity

20 hour rate	(0.25A to 10.50V)	18Ah
10 hour rate	(0.475A to 10.50V)	16.51Ah
5 hour rate	(0.85A to 10.20V)	15.25Ah
1 C	(5A to 9.60V)	13.09Ah
3 C	(15A to 9.60V)	15.7Ah

Weight Approx. 5kg(11.02Lbs.)

Internal Resistance (at 1KHz) Approx. 14mΩ

Maximum Discharge Current for

5 seconds: 75A

Charging Methods at 25°C (77°F)

Cycle use:

Charging Voltage 14.4 to 15.0V

Coefficient -5.0mV/°C/cell

Maximum Charging Current : 5.4A

Standby use:

Float Charging Voltage 13.5 to 13.8V

Coefficient -3.0mV/°C/cell

Operating Temperature Range

Charge -15°C (5°F) to 40°C (104°F)

Discharge -15°C (5°F) to 50°C (122°F)

Storage -15°C (5°F) to 40°C (104°F)

Charge Retention (shelf life) at 20°C (68°F)

1 month	92%
3 month	90%
6 month	80%

Case Material ABS UL94 HB

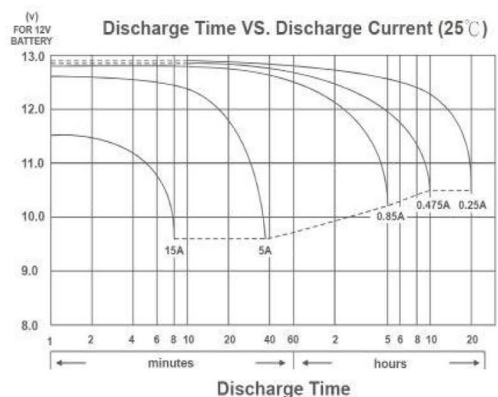
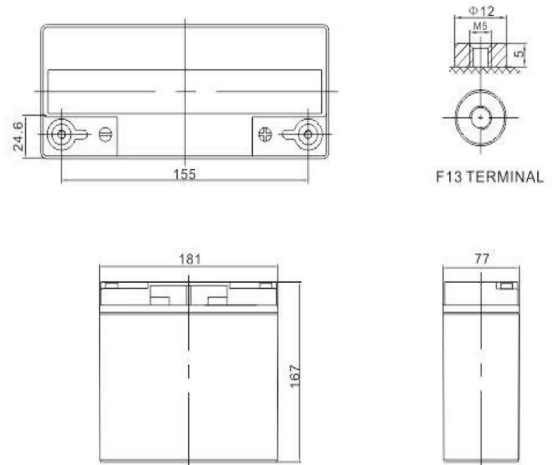
Option: Flammability resistance of (UL94 V-0)

Terminal F1 or F2 (Faston Tab 187 or 250)

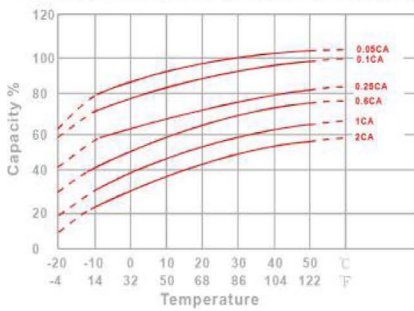


Dimensions

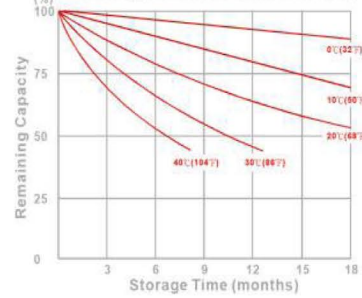
mm(inch)



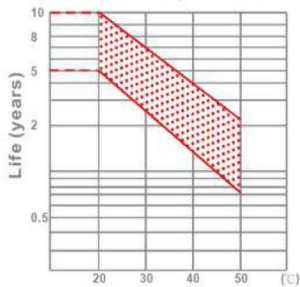
Effect of Temperature on Capacity 25°C (77°F)



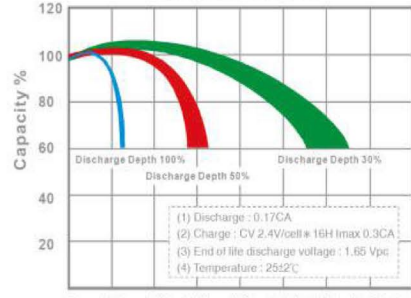
Capacity Retention Characteristic



Trickle (or float) Service Life



Cycle Service Life



Constant Current Discharge Characteristics : A (25°C)

F.V/Time	5MIN	10MIN	15MIN	30MIN	1HR	2HR	3HR	4HR	5HR	8HR	10HR	20HR
1.60V	69.22	45.61	33.99	19.67	11.40	6.73	4.89	3.89	3.29	2.20	1.79	0.93
1.65V	66.72	44.25	33.10	19.24	11.19	6.63	4.83	3.85	3.25	2.17	1.77	0.92
1.70V	63.47	42.47	31.93	18.67	10.91	6.50	4.74	3.78	3.20	2.14	1.75	0.91
1.75V	59.29	40.16	30.41	17.92	10.54	6.32	4.62	3.70	3.13	2.11	1.72	0.90
1.80V	54.02	37.22	28.45	16.95	10.06	6.10	4.47	3.58	3.04	2.05	1.68	0.88
1.85V	47.54	33.53	25.97	15.72	9.44	5.80	4.27	3.44	2.93	1.98	1.63	0.86

Constant Power Discharge Characteristics : WPC (25°C)

F.V/Time	5MIN	10MIN	15MIN	30MIN	1HR	2HR	3HR	4HR	5HR	8HR	10HR	20HR
1.60V	119.2	78.70	60.32	36.27	21.64	12.94	9.48	7.59	6.43	4.35	3.57	1.86
1.65V	117.9	78.37	59.97	36.00	21.46	12.84	9.41	7.53	6.39	4.32	3.54	1.85
1.70V	113.4	76.06	58.36	35.13	21.00	12.63	9.27	7.42	6.30	4.27	3.50	1.83
1.75V	107.8	73.22	56.38	34.07	20.39	12.35	9.08	7.28	6.19	4.20	3.44	1.81
1.80V	99.97	69.03	53.49	32.55	19.56	11.97	8.82	7.09	6.04	4.11	3.37	1.77
1.85V	89.54	63.30	49.53	30.48	18.48	11.45	8.47	6.82	5.83	3.98	3.27	1.73

(Note) The above characteristics data are average values obtained within three charge/discharge cycle not the minimum values.